



BOD INCUBATOR

BIBD-102

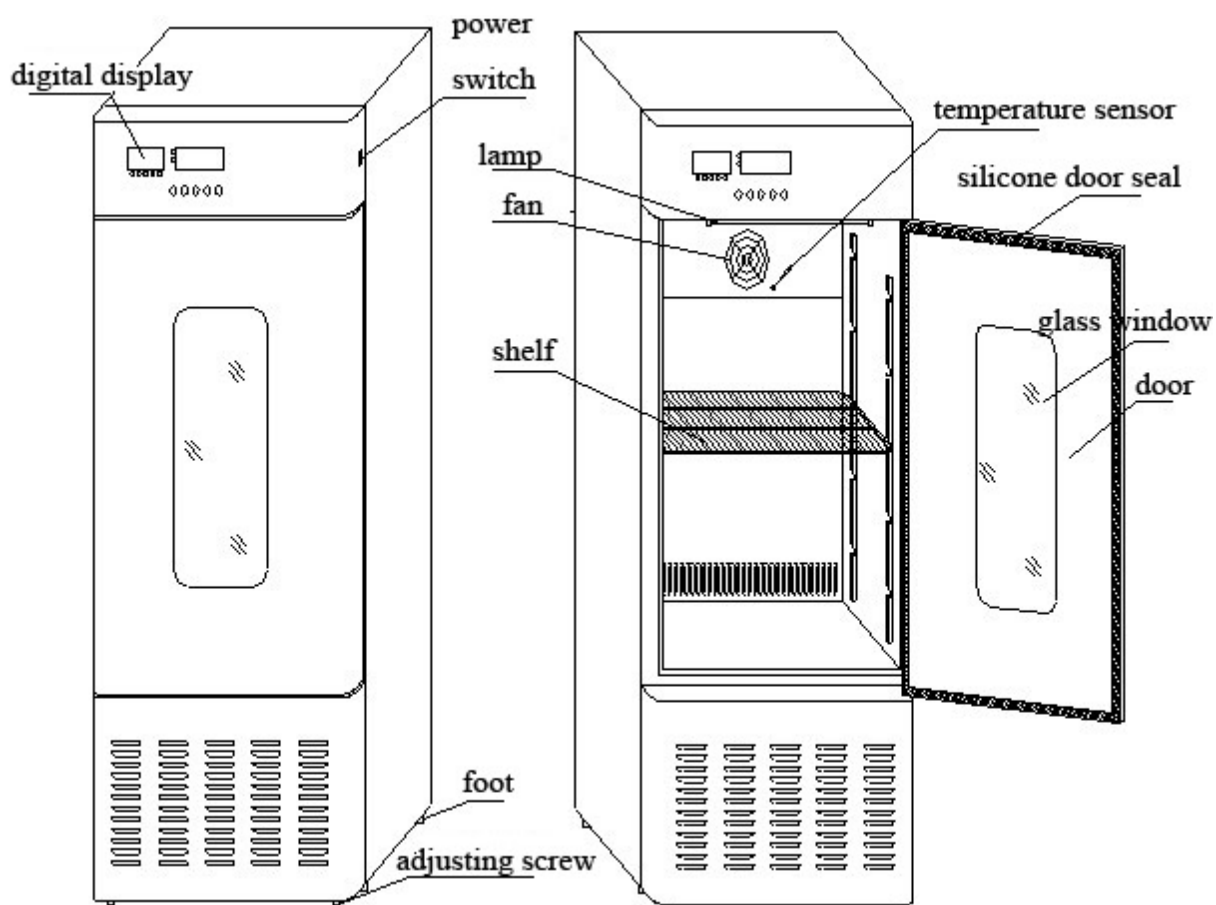
INDEX

1. Application	2
2. Product Structure	2
3. Features	3
4. Working principle	4
5. Technical parameter	4
6. Installation	5
7. Control panel	5
8. Operation	6
9. View and set intrinsic parameters	8
9.1 Intrinsic parameter -1	8
9.2 Intrinsic parameter -2	9
9.3 Intrinsic parameter -3	11
10. Maintenances	11
11. Troubleshooting	12
12. Wiring layout	12
13. Packing list	13

1. Application

100 Series BOD Incubator is thermostatic equipment with cooling function, highly precise and advanced. Widely used in biological genetic engineering, medical treatment, health and epidemic prevention, medical test, agriculture and animal husbandry, aquaculture and other scientific research institutions for plant cultivation, breeding test, bacteria, mould, microbial cultivation & preservation, BOD determination, etc.

2. Product Structure



3. Features

The incubator body is made of high quality steel sheet with attractive appearance. Equipment with a large observation window and built-in lighting lamp, which you can observe inside samples clearly. The inner chamber is made of mirror stainless steel, adjustable shelf. Easy to clean and durable.

4. Working principle

Biological incubators transfer actual temperature detected from temperature sensor into signal, through microcomputer control to heater and compressor towards required temperature.

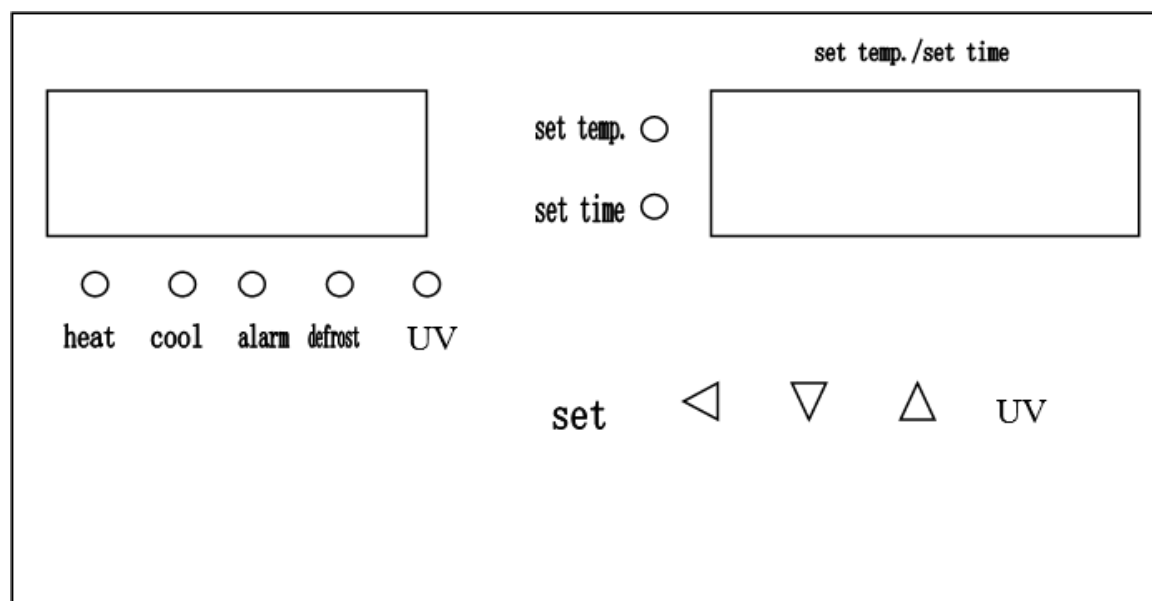
5. Technical parameter

- 1.volume: 150L
- 2.temp. range: 0~60°C;
- 3.temp. fluctuation: $\pm 1\%$ (150L)
- 4.temp. accuracy : $\pm 0.5^\circ\text{C}$
- 5.power voltage: AC 220V/50Hz;
- 6.input power: 385W (70L、100L) 420W (150L、250L) ;
- 7.working ambient temp.10~30°C relative humidity below 70%
- 8.refrigeration: R134a;
- 9.equipment classify: class I type B

6. Installation

- 1.The equipment should be installed in a ventilated place and avoid direct sunlight. The distance between equipment and wall have to be much than 10 CM
- 2.Keep the incubator balance via adjusting screw.(refer to technical drawing)
- 3.AC 220V/50HZ power supply, in order to be safe, please connect protective conductor thermal
4. Please install this equipment in the place where is far away from fire source

7. Control panel



Indicator and key instruction

1. "heat" indicator: it is on if there is heating output , or it is off
2. "cool" indicator: it is on if there is cooling output , or it is off
3. "alarm" indicator: it is on if temperature is abnormal or over-temperature alarm, or it is off
4. "defrost" indicator: when the evaporator defrosts, the dictator is on.
5. "UV lighting" indicator: it is on when sterilisation is on, or it is off
6. "set temp." indicator: it is on if the right screen displays set temperature, or it is off
7. "set time" indicator: it is on if right screen displays running time, or it is off
8. "set"key: set or view temperature ,time and other parameters
9. "◀"shift key: press this key to modify set value in setting mode
10. "▼"decrease / rerun: press this key to decrease set value in setting mode, long press this key decrease continuously. After running is over, in non-setting mode, long press this key to reboot.
11. "▲"increase: increase set value in setting value, long press this key increase continuously
12. "UV"key: button for sterilisation

8. Operation

1. After power is connected, left screen displays “index number and version number”, right screen displays “the max setting temperature” . It will access normal mode after 3 seconds

2. View and set temperature and time of constant temperature

1) if without timing function

Press “set” key to access temperature setting mode, left screen displays “SP” right screen displays setting temperature(it will flash from single digit), modify required setting value via shift ,increase or decrease key; re-press “set” key to log out this mode, the modified data will be saved automatically.

2) if with timing function

Press “set” key to access temperature setting mode, left screen displays “SP” right screen displays setting temperature (it will flash from single digit), modify required setting value via shift ,increase or decrease key; re-press “set” to access timing setting mode , left screen displays “ST”, right screen displays timing time (it will flash from single digit);re-press “set” key to log out this setting mode, the modified data will be saved automatically.

When timing is “0”, it means no timing function, the controller keeps running, right screen displays setting temperature; when timing time is not “0”, right screen displays running time or setting temperature. If display running time, the decimal point of the single digit which is on the right screen is on, when measured temperature reaches setting temperature, the timer start timing, the decimal point of the single digit which is on the right screen is flashing, timing time is over and stop running, the right screen displays “End”, beeper beeps, it will stop beeping after 1 minute. After running is over, long press “decrease” key for 3 seconds to reboot

Notice : if change setting temperature during timing, the controller will start timing from 0.

3. Sensor alarms abnormally

If the left screen displays “---”, it means that there is something wrong with temperature sensor or controller or temperature is in outside of temperature range, controller will disconnect heating output automatically, beeper beeps, alarm indicator is on, please check the temperature sensor and other connections.

4. When oven-temperature alarming, beeper beeps, “ALM” is on. if oven-temperature alarm because of setting temperature changed, “ALM” is off and without beep

5. Press any key to mute if beeper beeps

6. Without press any key within 1 minute in setting mode, it will be back to normal mode automatically.

9. View and set intrinsic parameters

Long press the set key for 3 seconds, the left screen displays “Lc”, the right screen displays password, you can modify the required value via “increase” “decrease” or “shift” key . re-press the “set” key , if the password is incorrect, the controller will be back to normal mode, if the password is correct, it will access the temperature setting mode. re-press “set” key to modify parameters of . long re-press “set” key for 3 seconds to log out this mode, the data will be saved automatically.

9.1 Intrinsic parameter -1

Parameter code	Parameter	Parameter instruction	(range) factory default
Lc-	Password	When “Lc=3”view or set parameters	0
AL-	Over-temperature alarm	When measured temp. >setting temp. +AL”, alarm indicator is on, beeper beeps , disconnect heating output When	(0~20.0°C) 5.0
Ct-	Compressor delay started function	C ompressor starts delay protection time, the mixed interval time from compressor stops to compressor reboots	(0~600 seconds) 60
uP-	Compressor starts threshold	When compressor works in intermittent mode If measured temp. ≥ setting temp.+ uP” And delay time is up, start compressor Notice : this parameter is only available when start or stop compressor manually(intrinsic parameter-2 , Crc=1) but it is unavailable in automatic mode	(-1.9~2.0°C) 0.4
dn-	C ompressor closes threshold	When compressor works in intermittent mode If measured temp. ≤setting temp. +dn” turn off compressor Notice : this parameter is only available when start or stop compressor manually(intrinsic parameter-2 , Crc=1) but it is unavailable in automatic mode	(-2.0~(uP-0.1)) 0.2
Lt-	UV lamp delay off function	When turn on light lamp, it will be off automatically after delay Lt .if “Lt=0”, delay is unavailable , you have to turn off light lamp manually	(0~30 mins) 2
T-	Control cycle	Heating control cycle	(1~30seconds) 5
P-	Proportion	Timing proportion adjustment	(1~50.0) 16.0
I-	Integral time	Integral acting in regulation	(1~2000 seconds) 600

d-	Differential time	Differential acting in regulation	(0~1000 seconds) 150
Pb-	Zero adjustment	Modify error margins of sensor (low temp.) during test Pb=actual temp.-test temp.)	(-12.0~12.0°C) 0
PK-	Full scale adjustment	Modify error margins of sensor(high temp.) during test PK=1000*(actual temp.-test temp.)/ test temp.	(-999~999) 0

9.2 Intrinsic parameter -2

Parameter code	Parameter	Parameter instruction	(range) factory default
Lc-	Password	When "Lc=9"view or set parameter	0
ndc-	Working way of compressor	0: compressor only works in intermittent mode 1: compressor will work in balanced mode or in intermittent mode according to CP (details as below) 2: compressor will work in balanced mode or in intermittent mode according to Htd (details as below)	(0~2) 0
CP-	The fixed switch point of compressor running mode	When ndc=1 If setting temperature \geq CP, compressor works in intermittent mode, on the contrary, it will work in balanced mode	(0~100.0°C) 30.0
Htd	The auto-switch point of compressor running mode	When ndc=2 If setting temperature \geq ambient temperature + Htd, compressor works in intermittent mode, on the contrary, it will work in balanced mode	(-50.0~50.0°C) 0.0
Crc	Start/stop mode of compressor	When compressor works in intermittent mode 0: the compressor will be started or closed automatically (depend on ambient temp. and setting temp.) 1:start or close the compressor manually (depend on up and dn which on the intrinsic parameter-1	(0~1) 0
Cnp	prohibited working temp. of compressor	When setting temperature \geq Cnp, compress stops working Notice : this running mode is in priority, it means the controller will proceed with this first instead of balanced mode or intermittent mode	(0~100.0°C) 42.0

ndt	Timing mode	0: no timing function; 1: with timing function, when reach setting temperature (start timing) , right screen displays running time 2: if with timing function, right screen displays running time	(0~2) 0
Hn-	Timing unit	0: minutes ; 1: hour	(0~1) 0
nP-	The max power	The max power percentage of heating output	(0~100%) 100
Co-	Disconnect heating output margins	When measured temperature \geq setting temperature +Co, disconnect heating output	(0~20.0°C) 5.0
SPL-	The mix setting temp.	The mix setting temperature	(-15.0~5.0°C) 0.0
SPH-	The max setting temp.	The max setting temperature	(5.0~100.0°C) 60.0

9.3 Intrinsic parameter -3

Parameter code	Parameter	Parameter instruction	(range) factory default
Lc-	Password	When "Lc=18"view ambient temperature	
Ht-	Ambient temp.	surrounding temperature of the controller	

Notice : these intrinsic parameters had been adjusted well , it is not necessary to adjust again

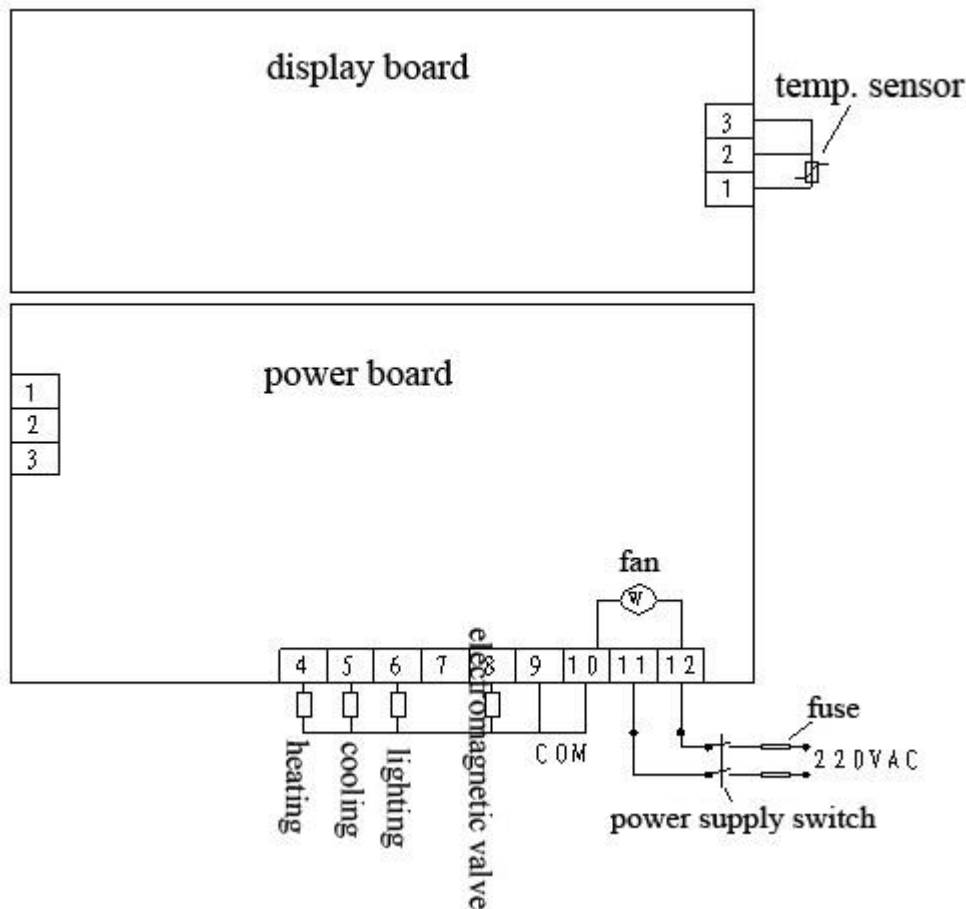
10. Maintenances

1. Keep upright when moving this biochemical incubator.
2. In order to prolong the lifetime of equipment, don't change setting value frequently
4. This equipment is equipped with two fuses, if there is something wrong with this equipment when running, please disconnect power supply first, check the fuse whether is undamaged then check other parts
5. In order to maintain the appearance of equipment, don't clean the equipment appearance with corrosive solution and clean inner chamber with dry cloth and alcohol
6. If set this equipment aside , please keep inner chamber dry and disconnect power supply
7. In order to make sure uniform temperature , frequently check fan whether works normally. The samples should not be crowded in the inner chamber.
8. In order to make sure good temperature effect, don't touch or collide the temperature sensor
10. This equipment is equipped with a cooling relief function, which is an intermittent cooling mode. When cooling stops, it is normal that if there is pull-in of magnet valve or refrigerant backflow sound

11. Troubleshooting

Troubleshooting	Handing
Screen displays (----)	·There is something wrong with temperature sensor , check the temperature sensor , model : BIBD-102
Temperature can't reach setting value	·Setting temperature is lower than display temperature Check whether the heater is damaged Check the controller board and other connections
Temperature rises slowly	Check whether the fan stops working fan is broken something wrong with relative connections
Screen displays nothing	check whether power switch is on check whether the plug cord is 220V check failures according to wiring layout

12. Wiring layout



13. Packing list

NO	Name	Quantity	Remarks
1	finish product	1	
2	instruction manual	1	
3	shelf	2	



Biolab Scientific Ltd.

3660 Midland Avenue, Suite 300, Toronto, Ontario M1V 0B8, Canada
Email: info@biolabscientific.com | Website: www.biolabscientific.com