



LIQUID SUCTION VACUUM PUMP

BVAP-201

INDEX

1. Introduction	2
2. Specifications	3
3. Basic operating instructions	5
4. Operation Guide	7
5. Failure Analysis and Trouble Shooting	8
Appendix A Mini Vacuum Pump Wiring Diagram	9

1. Introduction

The mini vacuum pump series is mainly used for separation of culture fluid and culture tissue after biochemical culture, extraction of cell culture waste liquid, and suction of various waste liquids in the laboratory. Different flow specifications are available to meet more experimental needs, and it is the best experimental assistant indispensable for the laboratory aseptic workstation.

Product Features

Pumping filter brackets are equipped on both sides of the instrument, easy to store and select the suction filter accessories.

Standard equipped with multi-function suction filter handle and 5 kinds of suction head accessories to meet more requirements of suction experiments.

Sealed waste liquid bottle cap design, quick-insertion sealing joint, convenient to get out of the fuselage bottle and clean up waste liquid.

Waste liquid bottle, suction filter fittings and dish filter can all be used for autoclave sterilization.

There is a liquid level protection switch in the waste liquid bottle to prevent the waste liquid from overflowing and being sucked into the pump chamber to ensure no troubles in suction filtration.

There is a PTFE dish shape filter between the bottle and the pump to protect the environment from harmful gas pollution.

The self-locking quick connector can be quickly and easily separated from the pipeline, which is convenient for safely cleaning the waste bottle.

Built-in high quality oil-free vacuum pump, no maintenance, low noise and long life.

2. Specifications

1. Normal Operating Conditions

Working Environment Temperature: 4°C - 45°C

Relative Humidity: ≤70%

Power: AC100V~230V, 50/60Hz

2. Basic Parameters and Performance

Model	BVAP-201
Max. flow rate	8L/min
Vacuum degree	-0.065Mpa
Vacuum display mode	Vacuum gauge
Negative pressure adjustment range	0~-0.08Mpa
Waste liquid bottle capacity	1000mL
Voltage	DC24V 0.8A
Power	8W

Dimension	W.130xD.288xH.300mm
Net Weight	1.6kgs

Table 1

3. Product accessories and parameters

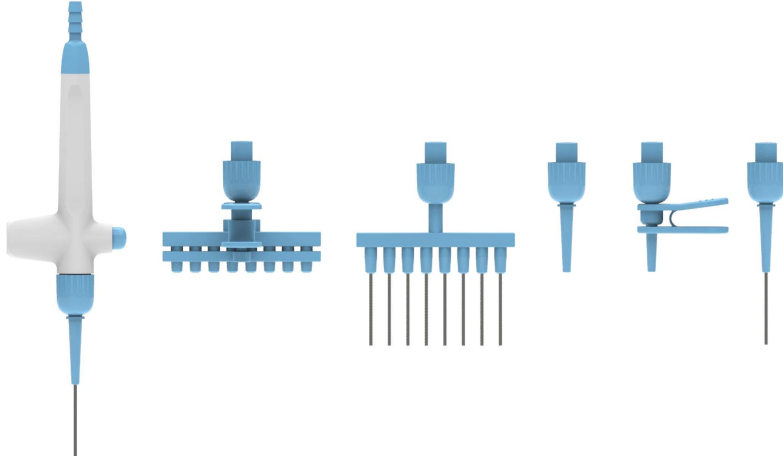


Figure 1

Name	Material	Quantity
Hand-held operator	POM	1
Eight-channel retractable tip plastic extraction head	POM	1
Eight channel stainless steel extraction head	POM+SUS304	1
Single channel plastic extraction head	POM	1
Single channel plastic extraction head	POM	1
Single channel stainless steel extraction head	POM+SUS304	1

Table 2

3. Basic operating instructions

This chapter mainly introduces the structure of the instrument, the functions of the operation panel, and preparations before starting the machine. When using the instrument for the first time, you should be familiar with this chapter before starting up.

1. Structure Description

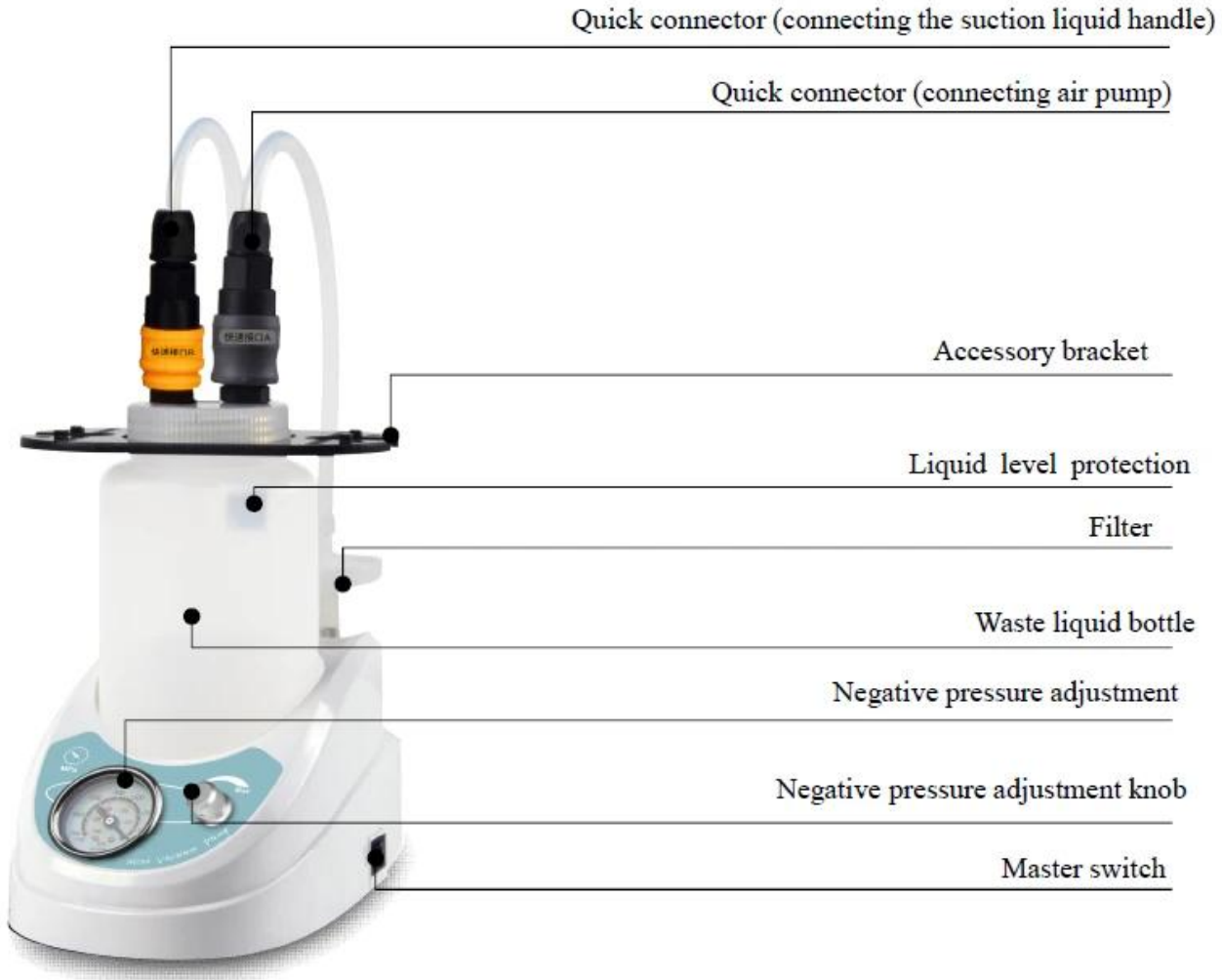


Figure 2

2. Operation panel diagram and description

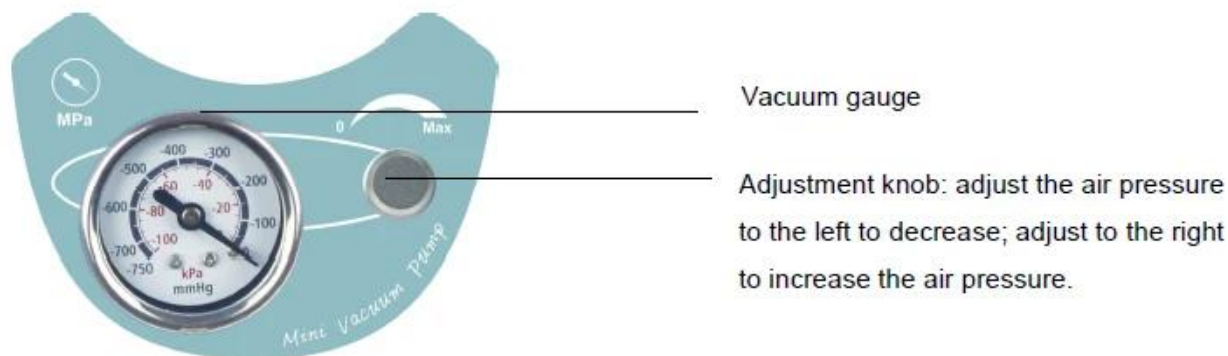


Figure 3

3. Instrument installation diagram and description



Figure 4

- connect the quick connector A to the quick interface A; connect the quick connector B to the quick interface B;
- Long hose connection suction handle; short hose connection vacuum pump (instrument) filter interface end.

4. Operation Guide

1. Notice before Operation

- a) Be sure to confirm that the quick connector is connected correctly before use. The gray quick connector A with one end of the liquid level sensor should be connected to the filter!
- b) When the filter is contaminated by the medium, the filter should be replaced. The filter is marked with the OUT output port connected to the air pump, and the IN inlet interface is connected to the quick connector A.
- c) If the instrument fails and the pump does not work, check the fuse.
- d) The waste bottle should retain a small amount of water for easy cleaning, but do not use any chemicals, disinfectants and detergents inside to prevent container leakage.
- e) Place the instrument in a dry, clean, well-ventilated area; do not use a flammable environment.
- f) If the power cord is damaged, it must be replaced by the manufacturer or its service agent or qualified personnel to avoid a hazard.
- g) When the waste liquid bottle is about to be filled, please pour it out in time to avoid overflow, which may cause inconvenience and pollution.
- h) Before stop working, make vacuum pump empty run for one minute, discharge the residual liquid in the path. If viscous liquid retention occurs, please use clean water to do a pipe cleaning.
- i) In order to extend the life of the motor, the continuous operation of the vacuum pump should be less than 30 minutes. If the temperature is too high, turn off the power and restart after the temperature drops.
- j) The vacuum pump cannot be started under negative pressure. When the start under negative pressure does not work, the internal negative pressure needs to be eliminated. It is recommended to unplug the quick connector and re-plug it.

2. Using Steps

- a) Place the vacuum pump on the operating table smoothly.
- b) Turn on the power on/off switch.
- c) Adjust the negative pressure adjusting knob to set the vacuum degree.
- d) Use the suction handle to suck up the liquid.
- e) After use, disconnect the instrument from the air pump and empty run for one minute to drain the residual and corrosive gases in the pump to avoid affecting the service life of the components inside the pump.
- f) Turn off the power and stop working.

★ Reminder: If there is no air pressure when the liquid suction handle sucks liquid, you need to adjust the position of the sealing cover and press it gently to ensure stability before sucking the liquid.

3. Special reminder after use

After use, please clean the liquid residue on the instrument in time, move the instrument at the same time, and clean the air outlet position of the instrument and the desktop position to prevent corrosion of the instrument or desk.

5. Failure Analysis and Trouble Shooting

No	Phenomenon	Possible Causes	Processing Procedure
1	Do not operate when switch on the power	No power	Check the power connection
		Low voltage of power supply	Access standard voltage
		Motor is in thermal protection status	Wait till the motor temperature down to normal
		Pump inside is negative pressure	Restart after eliminate the negative pressure
		Low temperature, membrane hard-shelled	Wait till the temperature raise to normal
2	Pump proper functioning, vacuum degree cannot achieve	Check the gas tightness	Ensure the gas tightness of each point
		Foreign matter on membrane of pump	Clean the membrane
		Broken membrane	Exchange the membrane
		air outlet plug up	Clean the air outlet
3	Pump proper functioning, Pointer does not move. Pump at rest, pointer is not turn to 0.	Broken negative pressure meter	Exchange the negative pressure meter

Table 3

Appendix A Mini Vacuum Pump Wiring Diagram

(This drawing is for reference only and is subject to change without prior notice)

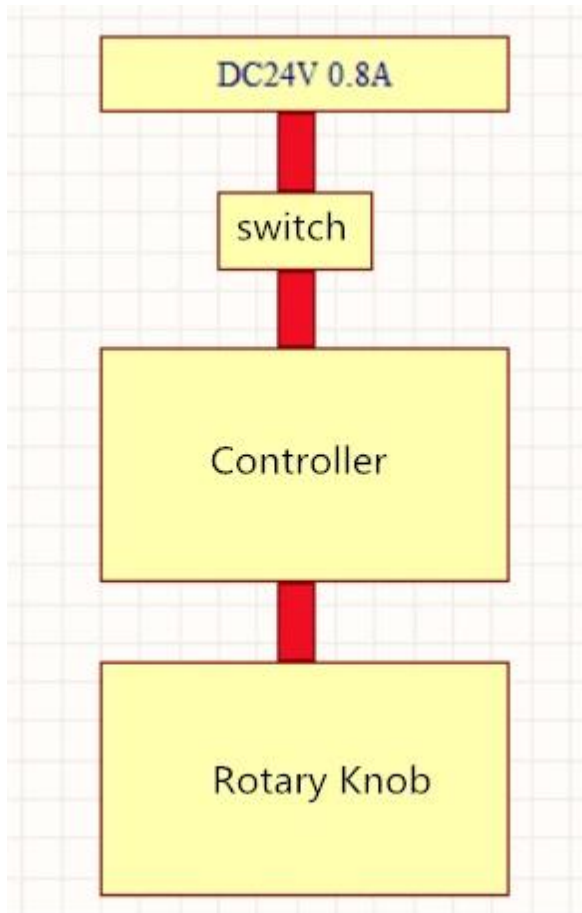


Figure 5



Biolab Scientific Ltd.

Trillium Executive Center, East Tower, 675 Cochrane Dr, Markham, Ontario L3R 0B8, Canada
Email: info@biolabscientific.com | Website: www.biolabscientific.com