



MANUAL HOSPITAL BED

BHBDC-518

INDEX

1. Precautions for Safe Use and Notices	2
2. Main properties and characteristics	5
3. Structure Description	6
4. Technical specifications	6
5. Operation Instructions	7
5.1 Operation for the crank	8
5.2 Operation for the castor & brake	10
5.3 Operation for the side rail	11
6. Cleaning ,maintenance and storage	11
7. Common Faults and exclusion	12
8. Quality assurance and after-sales service	13

1. Precautions for Safe Use and Notices

WARNING



Do not put your head/hand/leg/foot or other parts into the gap between side rail & head/foot board or finger into the bed during movements to avoid injure.
Pay attention to the patient who can not control themselves



Figure 1

Keep the bed's bed board in flat position when only patient lying on the bed and no nursing person standing by
Children or the person who do not know how to operation are not allow to operate it
Do not adjust the bed when patient lying on the bed with face down which may cause injure

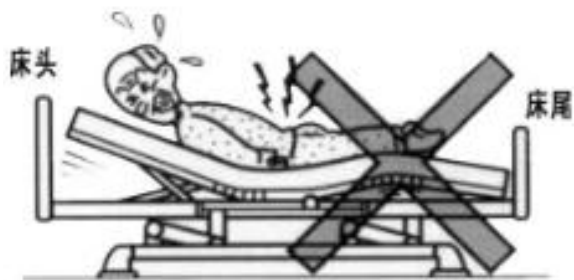


Figure 2

Lying on the bed at the correct direction.

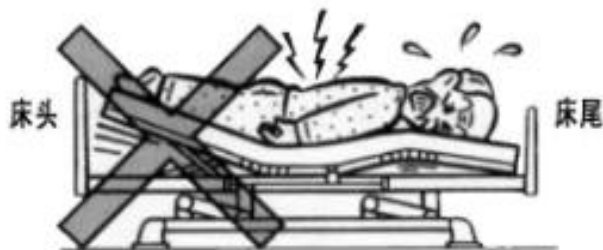


Figure 3

Do not put your hand, fingers or foot into the gap under the bedboard.



Figure 4

Do not climb ,playing, or jumping on this bed, also do not stand on this bed without support .Take care of your children.



Figure 5

Do not stay under the bed ,Do not put your hand or foot under the bed.



Figure 6

Do not repair or modify without our support.



Figure 7

Do not sit on the back board when it's going up.

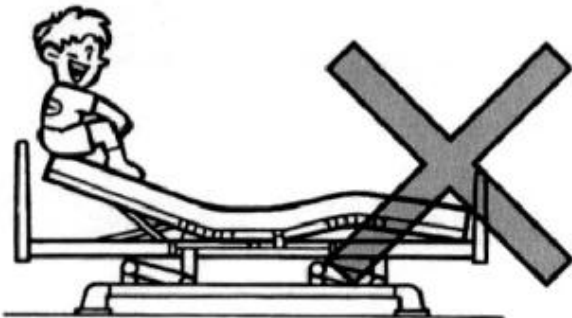


Figure 8

Do not sit on the side rail or on the head&foot panel.

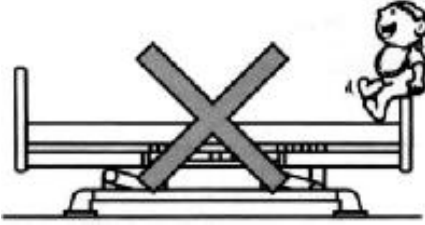


Figure 9

Keep away from the fire and high temperature objects. Keep away from the environment of flammable gas and air mixture or with oxygen, or a mixture of nitric oxide.

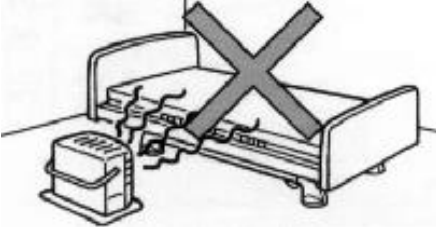


Figure 10

Do not use other items in this bed for assembly use.

Bed without making electromagnetic compatibility test.ICU use is not recommended.

Keep the caster in brake position when bed fixed ;Release the brake before moving the bed.

Make sure the side rail pulls up to the correct position and locks when the patient is lying on the bed.

Make sure the head&foot board fixing mechanism is fixed when bed is being used.

2. Main properties and characteristics

Steel structures supply a safety and stable support. Powder coated bed board with ventilated holes ,to avoid bedsores. Detachable PP head&foot board , decent and easy for cleaning, with corner bumper to protect the bed when being knocked . Collapsible protective railing in Aluminum alloy material, supplies safety protection for the patient lying on the bed . 4pcs high abrasion swivel wheels , $\Phi 125\text{mm}$,individual brake, let users stop the bed easily.3 pcs telescopic crank ,to adjust the back-rest,leg-rest and hi-low movement, change the bed position to make the patient feel comfortable . Back-rest lifting angle:0-75° , Leg-rest lifting angle:0-45° .Hi-low (from bed board to ground) 660-460mm

With a new design for the bed board ,the sitting part sinks (0-10°) when the back section goes up.Stop the slipping of the mattress ,supplying a comfortable sitting position for the patient.

3. Structure Description

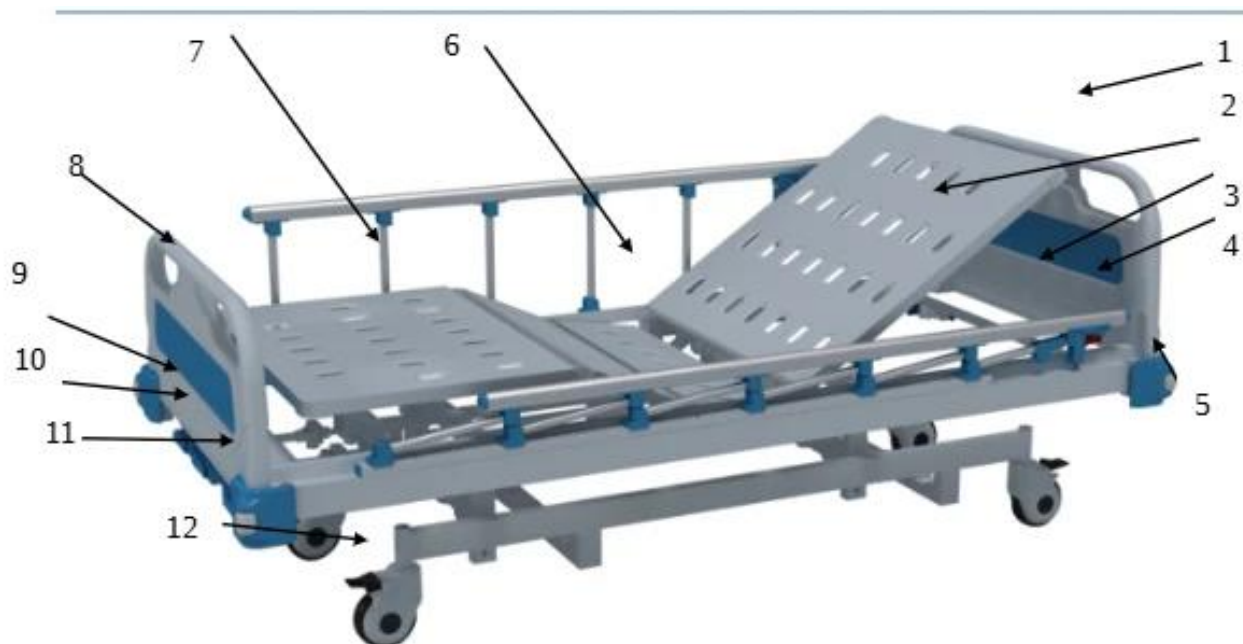


Figure 11

(1) --Head board (2)--Back part for bed board (3)--Side rail
 (4)--Side rail switch (5)--Corner bumper (6)--Sitting part for bed board (7)--Leg part for bed board (8)--Foot board (9)--Crank for back-rest (10)--Crank for hi-low movement (11)--Crank for leg-rest (12)--Castor

4. Technical specifications

Main material:	Steel structure, top class plastic material ABS&PP Aluminum alloy side rail, Steel bed board with powder coated
Overall size:	2000mm(L)x900mm(w)(±10mm) -not include head&foot board and side rail 2150mm(L)x985mm(w)(±10mm) -Head&foot board and side rail included
Bed board dimension:	1880mmx770mm(±10mm)
Hi-low:	490mm-700mm (±10mm) (from bed board to ground)
Castor :	4pcs swivel castor ,125mm with individual brake
Net weight :	106kg
Maximum load-bearing:	240KGS
Back rest lifting angle:	0-70°±5°
Leg rest lifting angle:	0-40°±5°
Angle for sitting part sinking:	0-10°±3°
Operating environment:	Professional medical institutions and similar occasions

Security classification:	Class I
--------------------------	---------

Table 1

5. Operation Instructions

5.1 Operation for the crank

(1#):for back-rest movement

(2#):for leg-rest movement

(3#):for whole bed up/down

Back-rest lifting angle: $0-70^{\circ}\pm 5^{\circ}$

Rotate the 1# crank by clockwise, back-rest goes up.



Back-rest can be fixed within the range: $0-70^{\circ}\pm 5^{\circ}$

Rotate the 1# crank by anti-clockwise, back-rest goes down,

Back-rest can be fixed within the range: $0-70^{\circ}\pm 5^{\circ}$,until it back to flat position

Sinking angle of the sitting part : $0-10^{\circ}\pm 3^{\circ}$

A linkage movement for back-rest going up and sitting part going down .

Sitting part sinks $(0-10^{\circ})\pm 3^{\circ}$ when the back section goes up,stop the slipping of the mattress ,supplying a comfortable sitting position for patient .



Figure 12

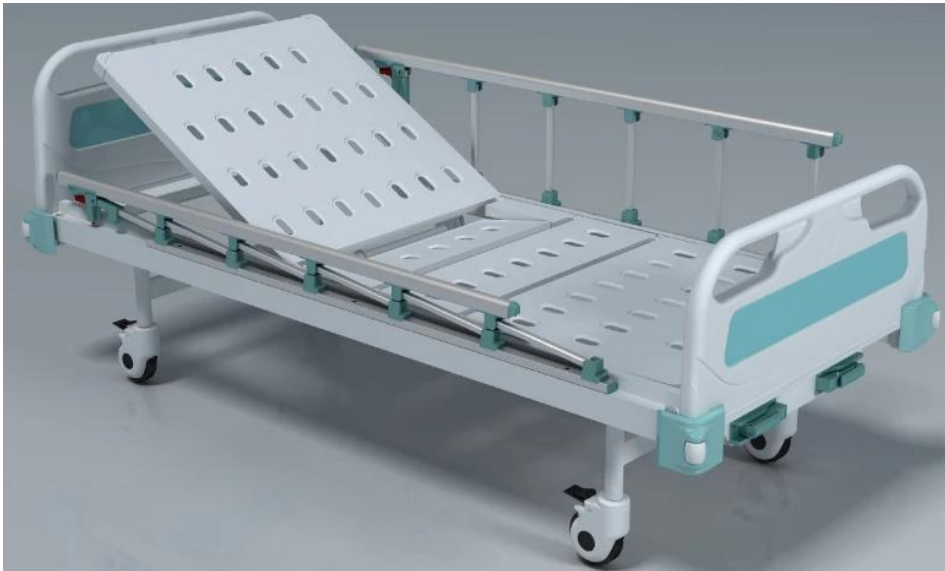


Figure 13

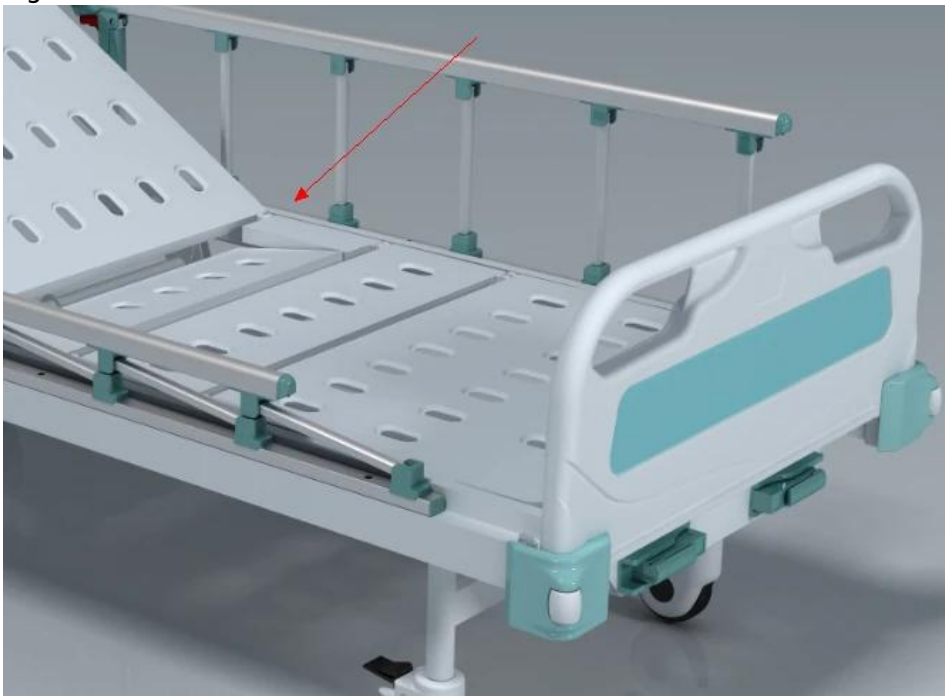


Figure 14

Whole bed height movement(Hi-low: 590mm-390mm ,from bedboard to ground).Rotate the 3# crank by clockwise, bed goes up ,.



Rotate the 3# crank by anti-clockwise, bed goes down.Bed height can be fixed within the range of 490mm-700mm (± 10 mm)

Leg-rest lifting angle: $0-40^{\circ} \pm 5^{\circ}$

Rotate the 2# crank by clockwise, leg-rest goes up.

Leg-rest can be fixed within the range: $0-40^{\circ} \pm 5^{\circ}$

Rotate the 2# crank by anti-clockwise, leg-rest goes down,

Leg-rest can be fixed within the range: $0-40^{\circ} \pm 5^{\circ}$,until it back to flat position

Notice:Keep the crank handle in fold position when not being used .

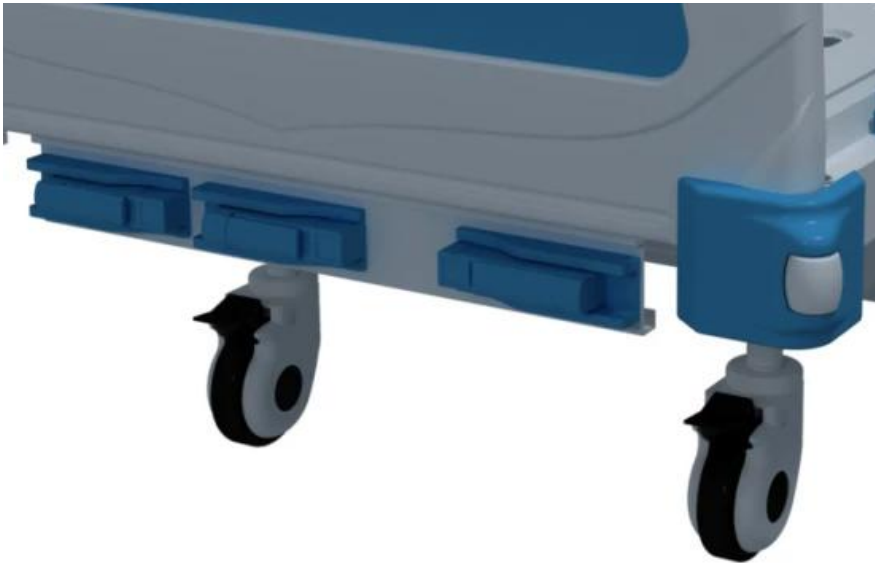


Figure 17

5.2 Operation for the castor & brake

4pcs swivel wheel .

With brake on every wheel .Press the brake pedal then the caster will be locked ,bed will be stopped .Release the pedal ,then bed can move.



Figure 16

5.3 Operation for the side rail

Pull up the rail until it locked automatically.Press the rail switch then push the rail down.

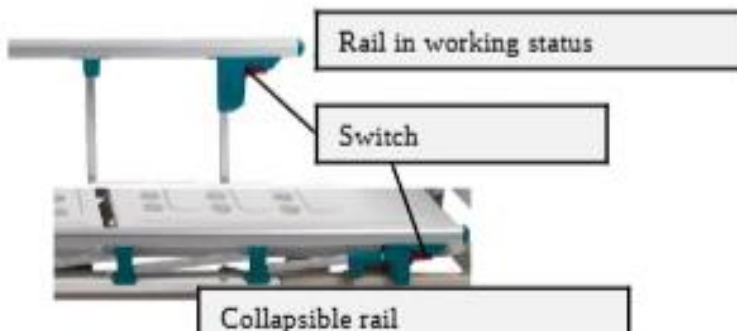


Figure 17

6. Cleaning ,maintenance and storage

■General cleaning for the bed , head&foot board and side rail

Clean with soft cloth which dip with diluted neutral detergent ,then clean off the diluted neutral detergent by cloth with clean water , finally, wipe it with dry cloth.

※Do not use volatile items (diluent , volatile agents, gasoline)

※Not available for high temperature

※Do not spill liquid to the bed

Please select low temperature sterilization method

■Preventive safety inspection and maintenance

Preventive safety inspection and maintenance only allowed for Professionals

Check stuck situations, loose fasteners and any presence of safety risks.

Add lube to the moving parts to assure smooth working

Inspection and maintenance intervals for 1 year

■Storage

Avoid store it in extreme cold,heat,dust or humidity environment

Optimum temperature in - 10 °C to 40 °C, relative humidity less than 80% RH, atmospheric pressure range: 760 hpa ~ 1060 hpa.

No corrosive gas, well-ventilated room.

Adjust the bed to zero position .do not put staff on the bed, especially heavy staff.

7. Common Faults and exclusion

Check if below common faults exist before you fix the bed

If still do not work, contact us for support .DO NOT repair it without our support .

We are not responsible for the bad results caused by improper operation by the user.

Common Faults	Cause of the faults	Exclusion
Bed board not flat	Back-rest and leg-rest not operated to the required position	See the Operation for Crank
Noise when bed being operated	Over load	Check if the bed working on over load
	Object stuck in the bed or joint parts stuck	Make sure the noise source ,remove the stuck objects , add some lubricating oil to make the joints part works smoothly
Bed can not be moved	Wheel on brake position	Release the brake of the castor

Table 2

8. Quality assurance and after-sales service

Please operate the bed following the user manual and the instruction label.

Call us for technical support if there is a quality problem.

We supply a warranty for 1 year.

NO Free warranty service for situation below:

(1) Failure and damage caused by unauthorized dismantling and repair and improper operation by the user.

(2) Failure and damage caused by wrong assembling ,delivery & moving.

(3) Failure and damage caused by earthquake, fire, smoke, abnormal voltage, lightning, flood and other natural disasters.



Biolab Scientific Ltd.

Trillium Executive Center, East Tower, 675 Cochrane Dr, Markham, Ontario L3R 0B8, Canada

Email: info@biolabscientific.com | Website: www.biolabscientific.com