



MANUAL HOSPITAL BED

BHBD-203

INDEX

1. Using Areas	2
2. Structure	3
3. Specifications	3
4. Operation instruction	4
5. Cautions	5
6. Maintenance	6
7. Transportation and storage	6
8. After-sales service	7
9. Period for safety use	7
10. Packing list	8

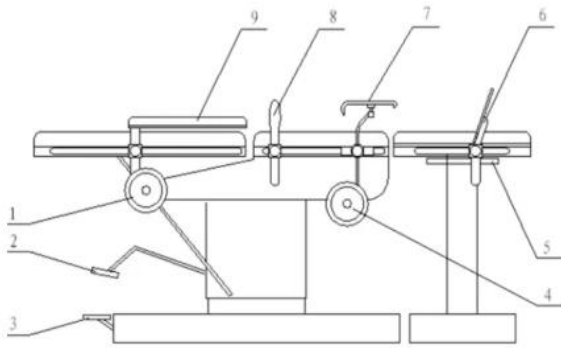


Figure 1

1. Handwheel for backboard up and down
2. Foot pedal for height adjustment
3. Chassis pedal
4. Handwheel for seatboard up and down
5. Handwheel for auxiliary bed height adjustment
6. Foot board pedal
7. Leg support
8. handle
9. Arm support

1. Using Areas

This series of tables 1s designed for women's parturition and gynaecological operation.

2. Structure

This series of tables 1s characterized by versatility, easy operation, safety and reliability. Its" body includes two parts, the main bed and the auxiliary table. The ascending and descending movements of the bed are controlled by the o1l pump with foot pedal, while those of legs controlled by the lead screw and operated by the handwheel.

BHBD-203 The table panel, the cover of pole and base are made of stainless steel

3. Specifications

Dimensions of Table Top:

Overall length.....1950mm

Width.....600mm

Height.....750mm

Dimensions of Sections:

Back section.....750x600mm

Seat section.....400x600mm

Auxiliary panel650x600mm

Adjustments of Sections:

Back section-raised from the horizontal.....45 min

Lowered from the horizontal.....10°min

Seat board fold upward 30°min

Seat board fold downboard 8°min

Table top elevation adjustment200±mm

4. Operation instruction

1) Elevation and subsidence of the oil pump

Elevation and subsidence of the oil pump are controlled by one pedal. When pressing the oil pump one time, it will rise by a certain height. (Note: Do not press it down to the dead end). The ascending speed of the table top is according to the pressing speed, however, the table top will descend when the pedal is pressed to the dead end and remains still. As soon as it reaches the suitable height, please loosen the pedal.

2) Control of the base

The base of the table is mounted by castors, so that the table can be freely moved. With the floor brake, it is easy to make the table still. Rotate the knob (Refer to 4) downwards to stop it moving, before moving it please rotate the knob upwards.

3) The main bed can be used separately for women's sitting parturition and gynaecological operation, and when connected with the auxiliary table can be used for women's lying parturition and other operations.

5. Cautions

- 1) All beds when out of factory don't be added enough oil. When oil pump way is too short, you need to descend the table to the lowest position, remove the cover of the oil pump, insert the medical pipe to it, and in pour N32 hydraulic oil using a funnel until the oil pump can rise to the highest position.
- 2) Before putting the bed into use, all attachments should be checked to see if they are locked securely so as to prevent them from losing or sliding off while used.
- 3) Before connecting the main bed with the legs, you should adjust these two to a proper position, and lock them tightly. If it needs to be adjusted again, the hook must be dropped at first.
- 4) If there're any changes about model, technical parameter and exterior, forgive our not informing.

6. Maintenance

- 1) After each operation, clean the dirt on the table at once to keep the table and accessories clean and prolong their life. (DO NOT USE CORROSIVE CLEANSER)
- 2) The panel should be kept dry. While the floor is washed and scrubbed, please try not to make water spill into the plate or on the rotated wheels, thus preventing it from being rusty.
- 3) Lubricating oil should be added to every active part, so that the table can be operated easily and prolong their life. Smear the tracks of the accessories on each side of the table and the rack wheels under the table with vaseline, thus preventing it from being rusty.

7. Transportation and storage

The bed in package should be placed a ventilative room with relative humidity no more than 95%, and there shouldn't be corrosive gas.

8. After-sales service

In the guarantee time we will offer you free respiration in the conditions that you obey the storage and using rules. While beyond that time, we will offer you relative technical materials and fittings according to maintenance agreement.

9. Period for safety use

Period for safety use of this product is 8 years(starting from the producing time).

10. Packing list

NO.	DESCRIPTIONS	QUANTITY
1	BED BODY	1 set
2	ANESTHETIC SCREEN	1 piece
3	SHOULDER REST	2 piece
4	PULL REST	2 piece
5	ARM REST	2 piece
6	KNEE CLUTCH	2 piece
7	CUSHION	1 piece
8	HANDWHEEL	4 piece
9	OIL POT(WITH OIL)	1 piece
10	INSTRUCTION MANUAL	1 piece
	GUARANTEE CARD	



Biolab Scientific Ltd.

Trillium Executive Center, East Tower, 675 Cochrane Dr, Markham, Ontario L3R 0B8, Canada
Email: info@biolabscientific.com | Website: www.biolabscientific.com